

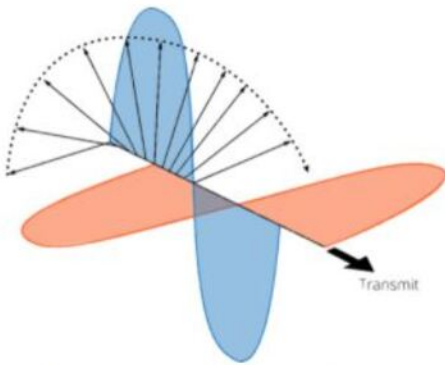


PANEL 8 HELIUM SL

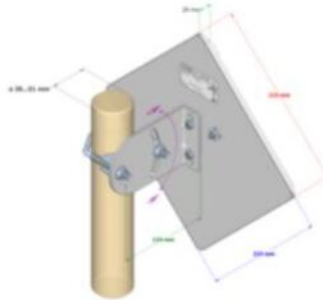
directional antenna
PANEL 8 HELIUM SL
 IP-G08-F8688-SL



Product code: IP-G08-F8688-SL



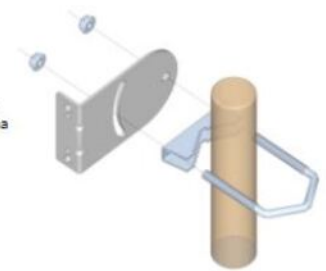
SLANT POLARIZED ANTENNA



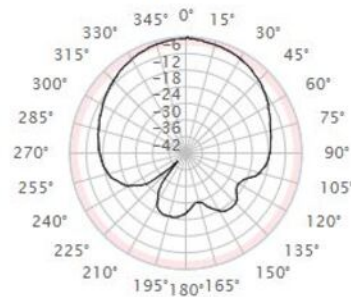
Installation tips:

Fine adjustment of the antenna ensures the correct propagation of radio signals. Proper installation of the mast, antenna and cable provide a stable and proper operation of the antenna installation.

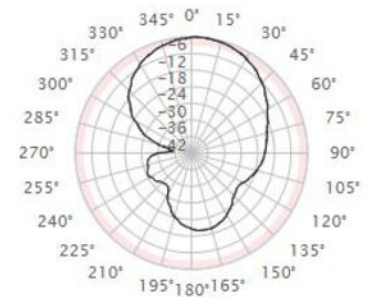
- Level mast or boom using a bubble leveler.
- Assemble the antenna mount as on drawing.
- Level mast or boom using a bubble leveler.
- Assemble the antenna mount as on drawing.
- Mount antenna on the mast.
- Level the mast or boom, check antenna vertical position.
- Vent holes should be located at the bottom of the antenna
- Screw the antenna to the mast, leaving slack in the adjustment of direction and inclination.
- Determine the direction and inclination.
- Finally tighten the mounting screws.
- Connect cable and insulate antenna connector.
- Fasten cable to the mast or boom.
- It is worth to note achieved link parameters



RPE - HORIZONTAL



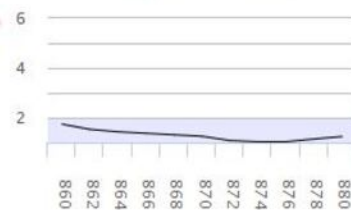
RPE - VERTICAL



electrical

Frequency band(s)	a. 860-880
Frequency (min)	860MHz
Frequency (max)	880MHz
Gain	a. 6dBi
VSWR (max)	1.50:1
Polarization	Horizontal and Vertical
Half Power Beam Width (-3dB) - horizontal	a. 70°
Half Power Beam Width (-3dB) - vertical	a. 60°
FBR (Front/Back Ratio)	>25dB
XPD (Cross Polarization Discrimination)	>3dB
Max Composite Power	50W
DC Ground	yes
Impedance	50Ω

VSWR: panel 868 new Nf vswr



mechanical

Connector	N female
-----------	----------